

Structure:

- ϕ 1.8 Sphelar® cell
- ϕ 3.2 Epoxy resin package
- ϕ 0.7 Nickel-plated electrode

Features:

- Minimum footprint, Simple shape
- High voltage generation
- Captures the light from all directions

Applications:

- Power module for small power equipment
- Power module for electrolysis of water

KSP-CY-01S01P-SA-X

KSP-CY-02S01P-SA-X

KSP-CY-03S01P-SA-X

KSP-CY-04S01P-SA-X

KSP-CY-05S01P-SA-X

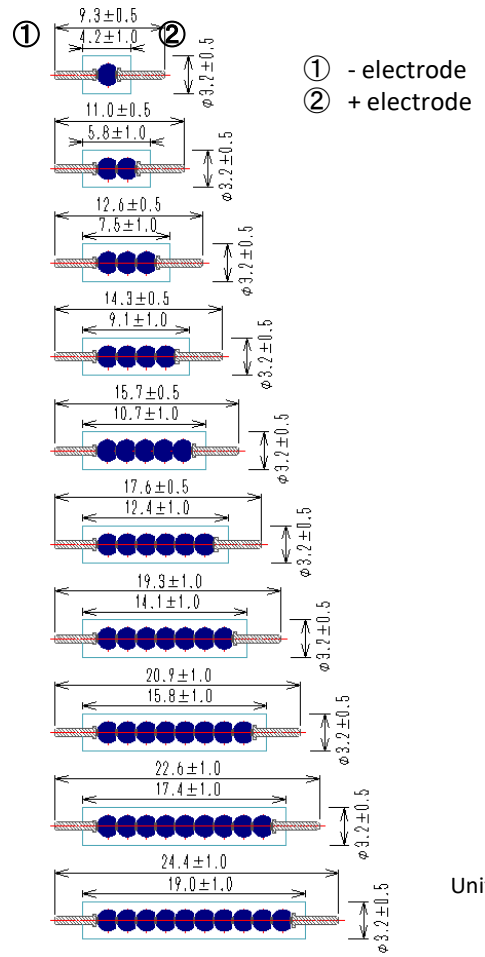
KSP-CY-06S01P-SA-X

KSP-CY-07S01P-SA-X

KSP-CY-08S01P-SA-X

KSP-CSY-09S01P-SA-X

KSP-CY-10S01P-SA-X



Electrical performance under Standard Test Conditions(STC)

Item	Symbol	KSP-CY-xxS01P-SA (xx=01~10)										Unit	Test Conditions
		01	02	03	04	05	06	07	08	09	10		
Open Circuit Voltage	V_{OC}	0.58	1.16	1.74	2.32	2.91	3.48	4.06	4.64	5.22	5.80	V	STC Irradiance 100mW/cm ² , AM1.5 spectrum, Ta=25°C
Maximum Power Voltage	V_{pm}	0.49	0.98	1.47	1.96	2.45	2.94	3.43	3.92	4.41	4.90	V	
Short Circuit Current	I_{SC}	1.1										mA	
Maximum Power Current	I_{pm}	1										mA	
Maximum Power	P_{max}	0.49	0.98	1.47	1.96	2.45	2.94	3.43	3.92	4.41	4.90	mW	

- Average value
- 11 or more of the series number of connections, will be addressed in options.
- Specifications are subject to change without notice.